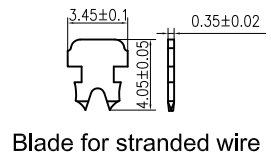
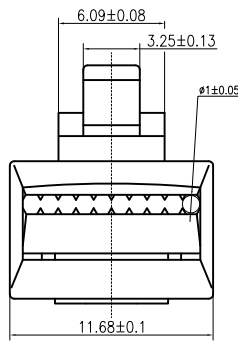
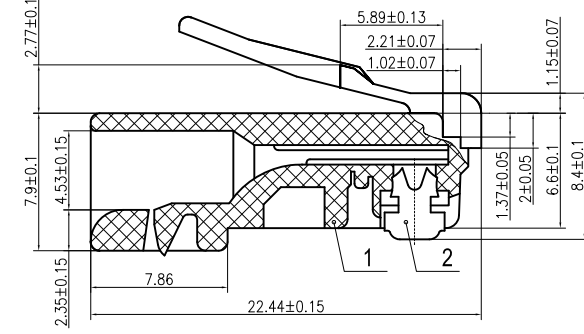
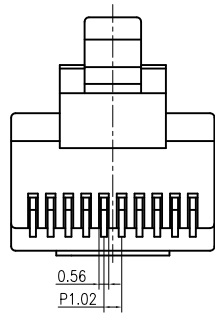


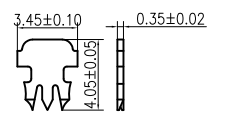
NOTES

1. Housing Polycarbonate(PC), UL 94V-0 or UL94V-2.
2. Terminal Brass, selective gold plating over nickelGold plating: G/F inch, 3u inch, 6u inch, 15u,inch, 30u inch, 50u inch.
3. Insulation Resistance: 1000 Megohms min.
4. Withstand Voltage: 1000V, AC/minute.
5. Durability: 1000mating circles min.

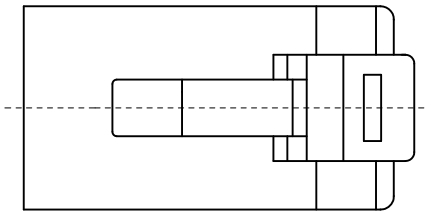
SECTION A-A



Blade for stranded wire



Short M shape blade for solid wire



MM (INCH)		绘图: (Designed)	<h1 style="margin: 0;">Coorle Technology</h1>		
公差: TOLERANCES		审核: (Checked)			
DETACHED LISTS	MM .0 ± .20 .00 ± .15 .000 ± 0.075	MM .0 ± 0.38 .00 ± 0.25 .000 ± 0.15	批准: (Approved)	名称(NAME) <h2 style="margin: 0;">Modular Plug 10P10C</h2>	
	角度(ANGLES) ± 1.5°		材料: (Material)	图号(DWG NO.):	
	第三角视图		比例: (SCALE)	料号(PART NO.):	
			1:1	版本 REV. A0	
			单位(UNIT): MM 共(SHEET)1页 第(OF)1页		